

PROTECTA III E

Ex e EMERGENCY FLUORESCENT

The Protecta III E emergency luminaire for tubular fluorescent lamps is rugged, technically advanced and high quality. It incorporates self commissioning, comprehensive self testing and an internal battery with the control gear mounted on a gear tray. The emergency light output and duration is outstanding with high output emergency option available (HEO). Protecta is constructed using a glass reinforced polyester (GRP) body and polycarbonate diffuser which resist saline and other corrosive environments. Major features of the luminaire are the strength of the enclosure and mounting points together with the very high degree of ingress protection afforded by the simple reliable construction. The ease of access to lamps and control gear means that installation and maintenance will be completed quickly and efficiently.



EOL Protected

Standard Specification

Features

Type of Protection	Ex eqm (Increased safety Powder filling Encapsulation)
ATEX Classification	Group II Category 2 G D
Area Classification	Zone 1 and 21 areas to EN 60079-10 and EN 50281-3 with installation to EN 60079-14 and EN 50281-1-2
Apparatus Standard	EN 50014 EN 50017 EN 50019 EN 50028 EN 50281-1-1
Certificate	EC Type Examination Certificate Baseefa04ATEX0220
Coding	⊕ II 2 G D EEx eqm II T4 Tamb 55°C
Enclosure	GRP body with polycarbonate cover and brass suspension points
Reflector/Geartray	White polyester painted zinc coated steel
Entry	4 x M20 cable entries, 2 at each end
Termination	4 core 6mm ² max. conductor with looping and 16A rating through wiring
Installation	Two M8 tapped brass inserts located on rear of body
Control Gear	High Frequency
Relamping	Quick release diffuser clamp and hinged cover
Lampholder	Fa6 Cap (Mono-pin), G13 (Bi-pin)
Lamp Type	T8 tubular fluorescent
Burning Position	Universal
Ingress Protection	IP66/67 to EN 60529
Electrical Supply	220V - 254V 50/60Hz
Battery	Internal Ni-Cd battery (6V 4 Ah)
Duration	90 minutes to EN 60598-2-22 (3H option)
Emergency Output	50% of one lamp (18W) 25% of one lamp (36W), 45% - HEO option

Battery management, monitoring and automatic self test
Simple rugged construction
Full length easy access diffuser clamp
Standard fixing centres
High frequency control gear gives 50/60Hz operation, high power factor correction and regulation of lamp output
Automatic lamp de-energisation on opening
Screwless mains terminals
DTS-01 deluge tested
Vibration tested to comply with Lloyds/DNV
Resistant to voltage fluctuations
Emergency inhibition and mains power off re-start
Ability to detect and indicate impending end of emergency lamp life before actual failure
GOST, CSA and CEPEL Approved
IEC Ex Compliant
End of life (EOL) protection to IEC 60079-7 (with EOL I and EOL II functionality)

ATEX CATEGORY 2 ZONE 1 & 21 APPLICATIONS

Std. Cat No.	Part No.	Wattage	Weight
PRGE/218/BI/EM	502231	2x18W	8.3kg
PRGE/236/BI/EM	502431	2x36W	12.4kg
PRGE/218/MO/EM	502239	2x18W	8.3kg
PRGE/236/MO/EM	502439	2x36W	12.4kg

Options - Suffix to Catalogue No.

/120	Specific voltage (110/130)
/M25	M25 Entries
/SB	Stainless steel mounting bush
/3P	3 phase termination facility (Not available if looping required)
/LBE	Looping both sides
/RI	Remote emergency inhibition facility (External switch ordered separately)
/3H	3 hour battery duration
/HEO	High emergency output 90 minute duration (36W only)
/SE	Spigot entry

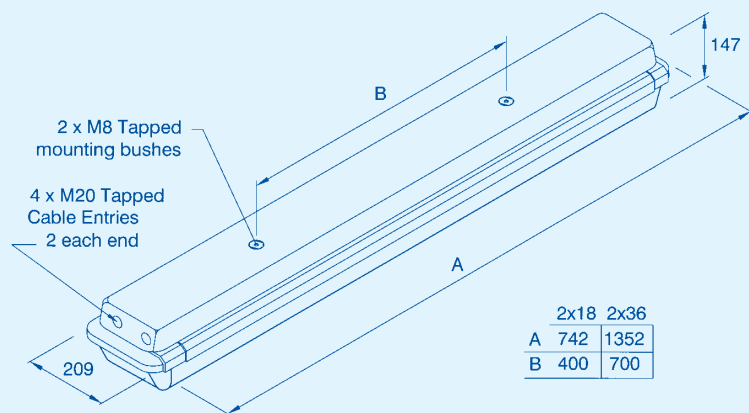
MO - Mono-pin Lamps

Mono-pin Coding: EEx eqd IIC

Dust only version (PRGU/____) available.

Applications

Zone 1 and 2 hazardous areas • Offshore oil and gas platforms
Chemical industry • Pharmaceutical industry • Sewage treatment plants
Process areas • Walkways • FPSO's and FSO's vessels • M.O.D. installations
Distilleries • Gas pumping stations



Accessories (Should be ordered separately)

Accessories (Should be ordered separately)	Catalogue Order Code
Offset ceiling bracket assembly kit	SPRO4-0002
Pole mounting bracket assembly (38/50mm diameter poles)	SPRO4-0003
C' form hook type ceiling bracket assembly kit	SPRO4-0005
Flush mounted wall bracket assembly kit	SPRO4-0006
18W wall mounting outreach bracket (use with SPRO4-0003)	NPRO4-0008
36W wall mounting outreach bracket (use with SPRO4-0003)	NPRO4-0012
Eyebolt kit	SPRO5-0005
Looping Kit (Allows looping from both ends of luminaire)	SPROT-0021
Remote Ex switch for emergency inhibition (1 switch controls up to 10 luminaires)	SPROT-0033

Product design and specifications are subject to change without notice, please check the Chalmit website for latest specifications.

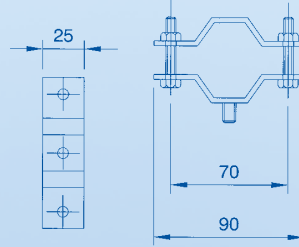
PROTECTA III

Pole Mounting Bracket

Cat No. SPRO4-0003

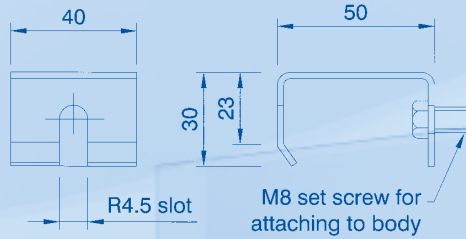


Pole mounting bracket to suit pole diameter 38mm - 50mm
Cat No. SPRO4-0003
Other sizes available on request.



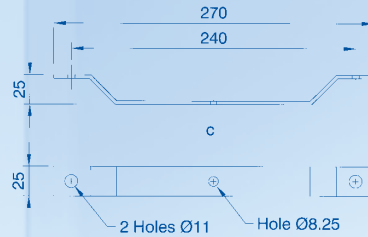
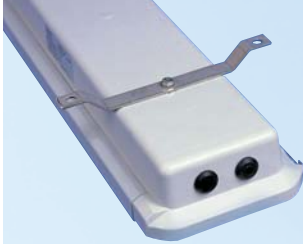
Hook Type Ceiling Bracket

Cat No. SPRO4-0005



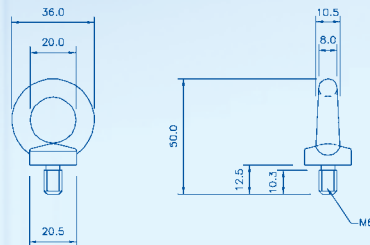
Ceiling Mounting Bracket

Cat No. SPRO4-0002



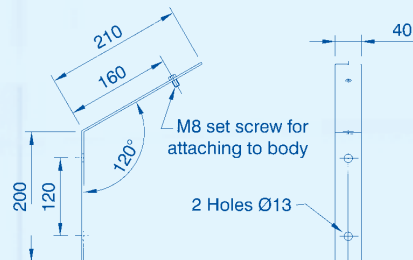
Eyelet Mounting Bracket

Cat No. SPRO5-0005



Flush Mounting Wall Bracket

Cat No. SPRO4-0006

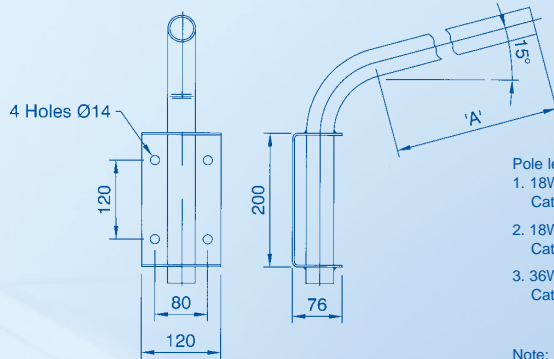


Note: All brackets are made from 316 Stainless Steel

MOUNTING OPTIONS

Wall Mounting Outreach Bracket

Cat No. NPRO4-0007/0008/0012



Pole length 'A' for use with the following:

1. 18W spigot entry body, size 'A' = 250mm
Cat No. NPRO4-0007
2. 18W body c/w pole clamps (SPRO4-0003), size 'A' = 650mm
Cat No. NPRO4-0008
3. 36W body c/w pole clamps, (SPRO4-0003) size 'A' = 1100mm
Cat No. NPRO4-0012

Note: Pole clamps for items 2, 3, & 4 must be ordered separately, see product accessories.

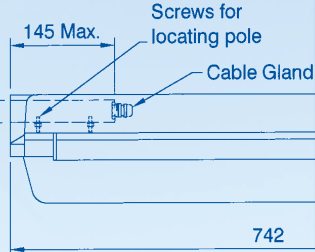
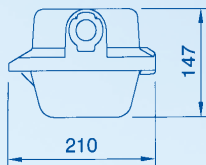
NPRO7-0007
18W & 36W Spigot Entry



18W Spigot Entry

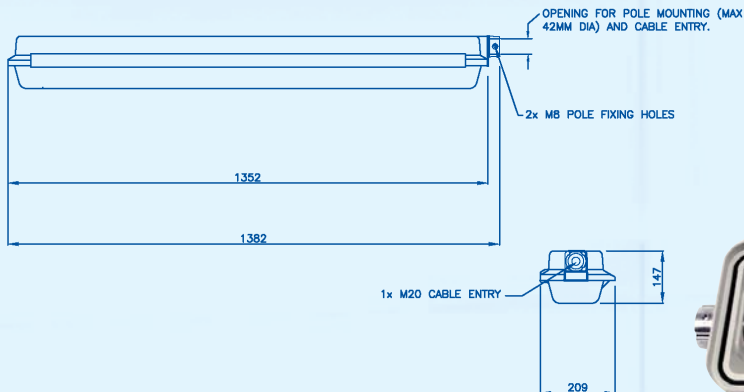
Cat No. PRGE/218/BI/SE

Opening for pole mounting
and for cable entry - 36-44mm



36W Spigot Entry

Cat No. PRGE/236/BI/SE



®

Electrical Products