

The Nevis bulkhead is designed for applications where a low profile robust luminaire is required. It is suitable for mounting on handrails and walls as well as ceilings and in restricted dirty places.

The luminaire is made from corrosion resistant aluminium alloy and toughened boro-silicate glass using stainless steel fastenings. It has an IP66/67 rating.

The luminaire is suitable for high pressure discharge lamps up to 70W HPS and 125W mercury vapour and also compact fluorescent lamps up to 26W, 200W GLS and 55W QL induction lamps. These give an efficient all around light distribution.

The large side mounted increased safety terminal chamber eliminates the need for flameproof glands and allows for flush mounting with easy cable access.



Standard Specification

Features

Type of Protection	Ex de (Flameproof, Increased Safety)
ATEX Classification	Group II Category 2 G D
Area Classification	Zone 1 and Zone 21 areas to EN 60079-10 and EN 50281-3 with installation to EN 60079-14 and EN 50281-1-2 Gas Groups IIA and IIB
Apparatus Standard	EN 50014 EN 50018 EN 50019 EN 50281-1-1
Certificate	EC Type Examination Certificate Baseefa02ATEX0168
Coding	Ⓔ II 2 G D EEx de IIB (refer to table for T rating and ambient)
Enclosure	Aluminium alloy LM6. All fastenings stainless steel. Toughened glass bowl.
Internal Reflector	High purity anodised aluminium
Entry	2 x M20 cable entries
Termination	3 core 6mm ² max. conductor with looping
Installation	Flush mounting bracket
Control Gear	Internal copper/iron with PFC correction capacitor
Relamping	Access via hinged front glass cover assembly
Lampholder	E27 for GLS and HID lamps. G24q for compact fluorescent
Lamp Type	HPS, Metal Halide, Mercury Vapour, GLS, Compact Fluorescent, MBTF or QL Induction lamp
Burning Position	Universal
Ingress Protection	IP66/67 to EN 60529
Electrical Supply	220, 230, 240, 254V 50Hz - 70 HPS/Metal Halide 220, 230, 240V 50Hz - 80 and 125W MBF/U 250V Max GLS/MBTF, 240V - CF, 220-240V QL

Ex e cable entries and looping as standard

Hinged front cover

Captive cover screws

High ingress protection

Internal reflector options

Low temperature applications to -55°C

Compact construction

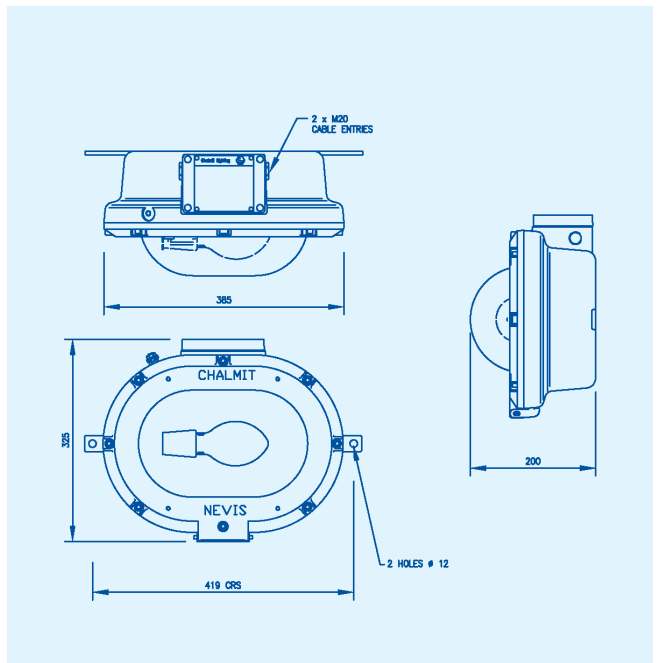
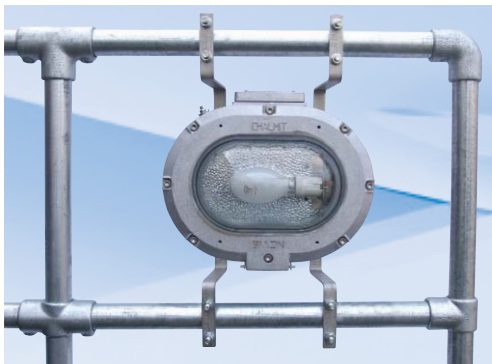
GOST Approved

ATEX CATEGORY 2 ZONE 1 & 21 APPLICATIONS

Std. Cat No.	Wattage	Lamp	T Class	Ambient °C	Weight
NEVD/050/MS	50W	HPS and Metal Halide	T4	55	12.5kg
NEVD/070/MS	70W	HPS and Metal Halide	T4	55	12.5kg
NEVD/080/MV	80W	Mercury Vapour	T4	55	12kg
NEVD/125/MV	125W	Mercury Vapour	T3	40	12kg
NEVD/200/GL	200W	GLS	T3	55	11.5kg
NEVD/118/CF	18W	Compact Fluorescent	T5	55	11.9kg
NEVD/126/CF	26W	Compact Fluorescent	T5	55	11.9kg
NEVD/160/MB	160W	MBTF	T3	40	11.5kg
NEVD/055/QL	55W	QL	T5	55	13.5kg

Options - Suffix to Catalogue No.

- /___ Specific voltage (12,24,120-CF,120-QL)
- /60 60Hz
- /M25 M25 Entries
- /P PTFE coating
- /TI Timed ignitor
- /NC No power factor correction capacitors fitted



Applications

Zone 1 and 2 hazardous areas • Harsh and low temperature environments • Offshore oil and gas platforms
 Handrails, walkways and low ceilings • Petrochemical industry • Pharmaceutical industry
 Road tanker loading facilities • Stairwells • Oil jetties • Distilleries

Accessories (Should be ordered separately)

Catalogue Order Code

Pole mounting brackets

SNEV1-0001

Wire guard

SNEV1-0002

Hand rail bracket

SNEV4-0002

Product design and specifications are subject to change without notice, please check the Chalmit website for latest specifications.



Electrical Products

Rev 01 - Sept 2006