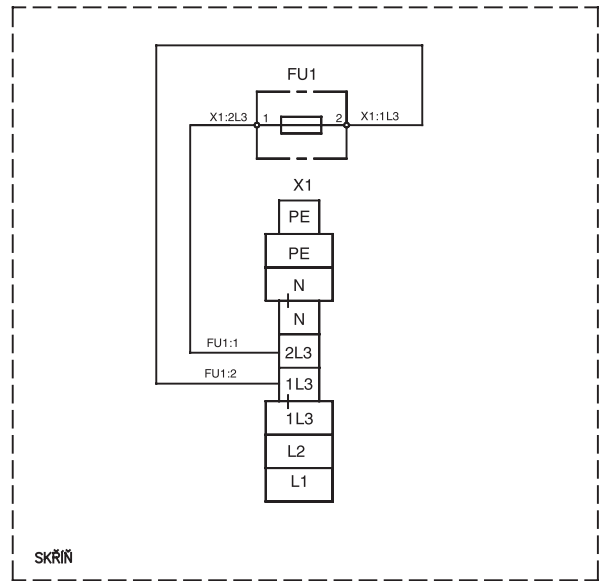


Polyester mast fuse box X26SA1 FU..A	
Type of protection:	II 2GD Ex emb II T6 T85°C IP65
Fuse:	T characteristics, breaking capability 1500A
Cable glands (upper):	1 pc M20 (Ø 7 – Ø12) mm
Cable glands (lower):	2 pcs M32 (Ø 17 – Ø 25) mm
Dimensions (w x h x d):	160 x 260 x 90 mm
Weight:	2,22 kg

Order No.	Nominal fuse current
X26SA1 FU10A	10 A
X26SA1 FU06A	6,3 A
X26SA1 FU04A	4 A
X26SA1 FU02A	2 A

- FU1** Ex fuse – T characteristics, breaking capability 1500A, GENERI
X1 N, 2L3, 1L3: standard WAGO terminals 2 x 4 mm², grey colour
X1 N, 1L3, L2, L1: standard WAGO terminals 2 x 16 mm², grey colour
X1 PE: standard WAGO terminal 2 x 4 mm², yellow-green
X1 PE: standard WAGO terminal 2 x 16 mm², yellow-green
 2 pcs WAGO terminal connector



CONTROL AND INDICATION BOXES - EX COMPONENTS

ZONE 1, 2 – ZONE 21, 22

Max. 2 contacts per head	Standalone switch on / switch off unit	Flush-mounted pushbutton spring-loaded head	Flush-mounted double spring-loaded pushbutton head	Mushroom head „turn to release“	Turning head	Locking head	LED indicator
Electrical connection symbol							
Specifications	I_{th} : 6 A* AC 15: 240V 3A DC 13: 250V 0,27 A	Colour: black, green red, blue	Colour: green / red	Colour: black, red	Colour: black • 2 positions, 3 positions	Colour: black • 2 positions, 3 positions • locking ability on request	Colour: red, blue, white, green, yellow • 6, 12, 24, 48V AC/DC • 110,230 V AC • 110,230 V AC/DC

* Deliveries with units rated $I_{th} = 10$ A also possible. Different contact blocks are available on request at obchod@generi.cz.

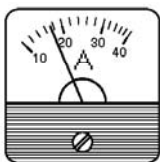
Turning head with more than two contact blocks is also available

NEW

Universal indicator 20 V – 415 V AC/DC is now available for use with indicating pushbuttons and position switches along with the new contact blocks

Connection terminals - characteristics

- 2 x 4 mm²
- 500V 22A
- 4 x 4 mm²
- 500V 22A



A - meter

- for connection to measuring current transformer (In/1A or In/5A)
- double/ triple overload capacity, accuracy rating 1,5
- standard scale ranges [A]: 0–10/30, 0–15/45, 0–20/60, 0–30/90, 0–40/120, 0–50/150, 0–60/180, 0–75/225, 0–100/300, 0–150/450, 0–200/600