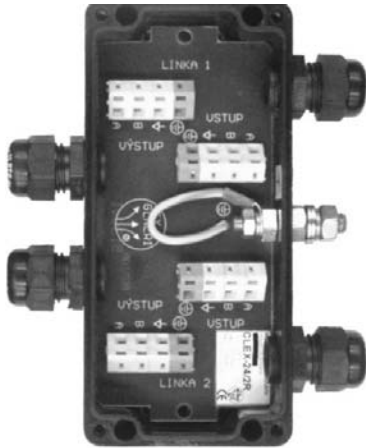
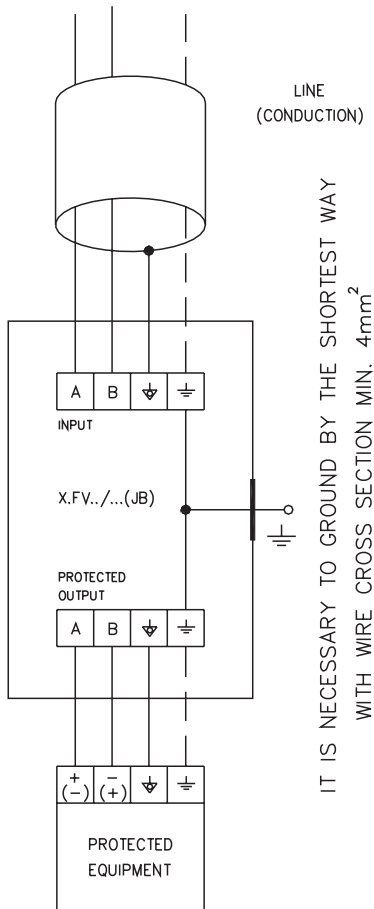




X12FV1/..1



X14FV1/..2



Example of connection of 1-module unit

Type X.FV./...	II 2GD Ex emb tD II T6 T50°C -55°C ≤Ta ≤ +70°C IP65			
Type X.FV./.../JB	II 2GD Ex embia tD IIC T6 T50°C -55°C ≤Ta ≤ +70°C IP65			
Surge protections are standard delivery for ambient temperature -20°C ≤Ta ≤ +40°C				
Nominal voltage:	6 V DC	12 V DC	24 V DC	48 V DC
Residual voltage:	11 V DC	17 V DC	36 V DC	62 V DC
Protection against repeated surge:				
Surge wave 8/20 μs 10 operations:				10 kA
Surge wave 10/100 μs 400 operations:				500 A
Short-circuit current for the duration of 1s:				30 A
Response time:				under 1 ns
Conductor cross-section available: 0,35 mm² to 2,5 mm²				

Order number creation:

X . FV . / . . . / JB

- Only for intrinsic safety**
- Number of protected lines:**
 - 1 1-module unit
 - 2 2-module unit
 - 3 3× 1-module unit
 - 4 2× 2-module unit
- Coupler:**
 - R resistor (60 mA/1 MHz)
 - LA inductance 1 (370mA/150 kHz)
 - LB inductance 2 (2 A/150 kHz)
- Nominal voltage:**
 - 06 6 V DC
 - 12 12 V DC
 - 24 24 V DC
 - 48 48 V DC
- Material:**
 - 1 plastic (Polyester)
 - 2 stainless steel sheet
- FV: surge protection designation**
(corresponds with EN 61346-1)
- Dimension type:**
 - 12 80 × 75 × 55 mm Polyester
 - 14 160 × 75 × 55 mm Polyester
 - 20 122 × 120 × 90 mm Polyester
 - 72 80 × 75 × 75 mm Polyester
 - 74 160 × 75 × 75 mm Polyester
 - 320 150 × 150 × 90 mm Stainless steel
 - 321 200 × 150 × 90 mm Stainless steel
 - 323 300 × 150 × 90 mm Stainless steel
- X:** Designation of (Ex) explosion-proof protection

Most common surge protections for one line						
Material	Dimensions [mm]	Nominal voltage	Coupler	Max. current	Frequency limit	Order No.
Polyester	80 × 75 × 55	24 V	Resistor	60 mA	1MHz	X12FV1/24R1/JB*
			Resistor	60 mA	1 MHz	X12FV1/24R1
			Inductance 1	370 mA	150 kHz	X12FV1/24LA1
			Inductance 2	2 A	150 kHz	X12FV1/24LB1

* /JB = intrinsically safe electrical circuits

Most common surge protections for two lines						
Material	Dimensions [mm]	Nominal voltage	Coupler	Max. current	Frequency limit	Order No.
Polyester	160 × 75 × 55	24 V	Resistor	60 mA	1MHz	X14FV1/24R1/JB*
			Resistor	60 mA	1 MHz	X14FV1/24R1
			Inductance 1	370 mA	150 kHz	X14FV1/24LA1
			Inductance 2	2 A	150 kHz	X14FV1/24LB1

* /JB = intrinsically safe electrical circuits