

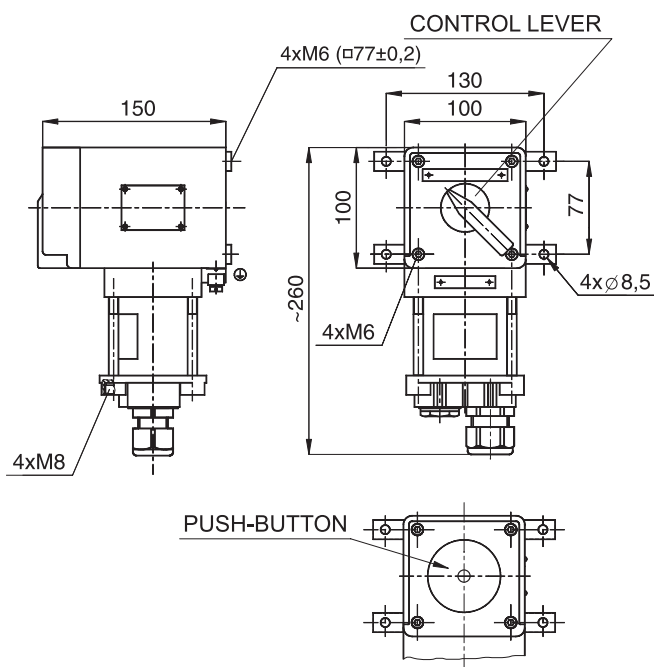
Type of protection:	II 2G EEx ed IIC T6 IP65
Box material:	Polyester
Cable diameter:	Ø 10 – Ø 22 mm
Terminals:	max. 2 × 2,5 mm ²

Function	Scheme for each direction	b [mm]	b1 [mm]	Weight [kg]	Order No.
↑ ↓		409	220	0,94	XAW-P271
↑ ↓ → ←		499	310	1,29	XAW-P471

Quotations for specific modifications as well as detailed technical information for type XAW-P are available on request at obchod@generi.cz.

FLAMEPROOF CONTROL BOX

SNM, SNP – ZONE 1, 2 – ZONE 21, 22



Type of protection:	IM2 Ex de I IP66
X201MSd:	(SNM, SNP)
X201MSe:	II 2GD Ex de tD IIC T6 T67°C IP66
	(ZONE 1, 2 – ZONE 21, 22)
Ambient temperature:	-20°C to +60°C (stand.-20°C to +40°C)
Box material:	Cast iron
Cable glands:	X201MSe: 1 × P21 (Ø 12–18 mm) no clamping module (standard) 1 × plug P21
	X201MSd: 1 × P21 STMd 14 (Ø 12–14 mm) 1 × plug P21
Terminals:	4 mm ²

El. parameters:	
Pushbutton:	Switch:
Ithe = 10A AC 15:	Ithe = 20A AC 3:
230V/50 Hz – 7A	3 × 400V/50 Hz – 7,5kW
400V/50 Hz – 5A	3 × 500V/50 Hz – 7,5kW
500V/50 Hz – 3A	
DC: The switching capacity can be increased by coupling of the contacts in series	
Please consult us for the optimal solution for your application	

Type	Weight	Order No.
X201MSd	7 kg	X201MSd / ??
X201MSe	7 kg	X201MSe / ??

Instead of ?? enter data from the table below

Rotary switch	?? (data after slash)
3 – pole switch off „coupling type 3“	203A20
Three-way switch „coupling type 6“	211A20
cross switch „coupling type 7“	212A20
3 – switching positions two-pole (I – 0 – II)	222A20
3 – switching positions as double pushbutton for circuit-breakers control (STOP – > 0 – START)	224A20
Padlock at limit positions	...A20z

Mushroom-head pushbutton „push - draw“ with contacts:	?? (data after slash)
1 × NO (1/0)	006A10
1 × NC (0/1)	007A10
NO + NC (1/1)	008A10
2 × NC (0/2)	009A10
2 × NO (2/0)	010A10

Quotations for specific modifications as well as detailed technical information for type X201MS are available on request at obchod@generi.cz.