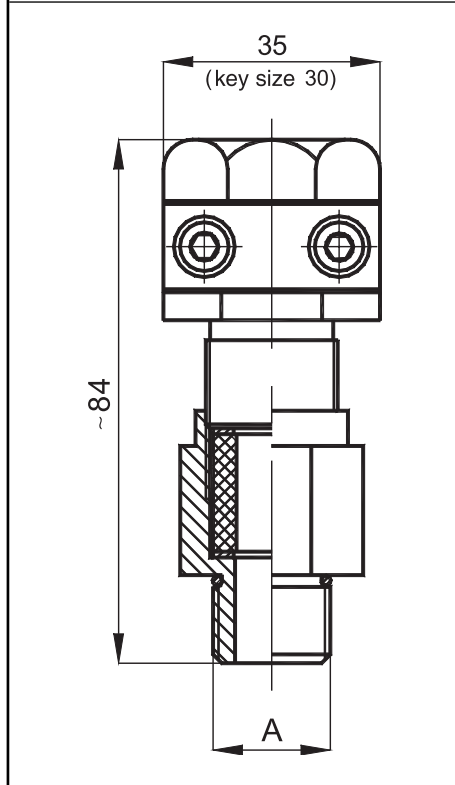


FLANGED CABLE GLANDS AND COVERS TYPE 50P..., 70P...	
Type of protection:	⊕ IM2 / II 2GD Ex e tD I/II IP65 (always with rubber gasket)
	⊕ IM2 / II 2G/3D Ex d tD I/II IP54 (always without gasket)

cable Ø [mm]	Order No.				
	Cable glands with stirrup		Armoured cable (glands without stirrup)		
	Ex e I/II	Ex d I/II	armoured cable Ø	Ex e I/II	Ex d I/II
8 – 18	–	–	30 mm	50P – P0e18	50P – P0d18
16 – 26	–	–	40 mm	50P – P0e26	50P – P0d26
24 – 34	50P – T0e34	50P – T0d34	50 mm	50P – P0e34	50P – P0d34
32 – 42	50P – T0e42	50P – T0d42	65 mm	50P – P0e42	50P – P0d42
40 – 50	50P – T0e50	50P – T0d50	65 mm	50P – P0e50	50P – P0d50
44 – 54	70P – T0e54	70P – T0d54	–	–	–
52 – 62	70P – T0e62	70P – T0d62	–	–	–
60 – 70	70P – T0e70	70P – T0d70	–	–	–

COVERS FOR FLANGED CABLE GLANDS	
Order No.¹⁾	Type of protection:
70P-V0e	⊕ IM2/II 2GD Ex e tD I/II IP65 (always with rubber gasket)
70P-V0d	⊕ IM2/II 2G/3D Ex d tD I/II IP54 (always without gasket)
¹⁾ universal size suitable for all types of cable glands mentioned above	

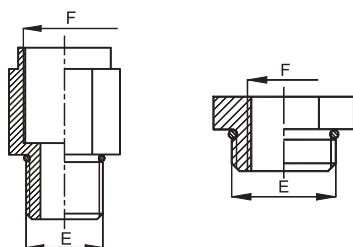
CABLE GLANDS TYPE „S” – SCREW	
Type of protection:	⊕ IM2 / II 2GD Ex d tD I/II -60°C ≤ Ta ≤ +115°C IP68 10bar
	⊕ IM2 / II 2GD Ex e tD I/II -60°C ≤ Ta ≤ +115°C IP68 10bar



Specification (Order No.)
 (sample of screwed cable gland M25x1,5 with stirrup, brass, intended for flameproof design „d” for cable dia. Ø 6 – Ø 8 mm)

M25 x 1,5 S T M d 8

- Diameter of cable (mm)**
 8 – for cable Ø 6 – Ø 8
 10 – for cable Ø 8 – Ø 10
 12 – for cable Ø 10 – Ø 12
 14 – for cable Ø 12 – Ø 14
- Type of protection**
 d – flameproof enclosure Ex „d” or increased safety Ex „e”
 e – only increased safety Ex „e”
- Material of cable glands**
 M – nickel plated brass
 O – nickel plated steel
 N – stainless steel
- Design of cable glands**
 T – glands with stirrup
- Type of cable gland “S”**
- Type and dimension of thread A**
 M – metric thread
 G – straight pipe thread
 R – taper pipe thread
 P (PG) – armoured for electrotechnics
 NPT – taper thread according to ANSI standards



ADAPTERS AND REDUCTION SCREWS AND PLUGS	
Type of protection:	⊕ IM2 / II 2GD Ex d tD I/II / Ex e tD I/II -55°C ≤ Ta ≤ +105°C IP65
Inner thread F:	armoured P, taper NPT, metric M and taper pipe R
Outer thread E:	armoured P, taper NPT, metric M and straight pipe G and taper pipe R
Our technical dept. can tailor-make adapters and reductions according to your requirements	

Quotations for specific modifications as well as detailed technical information for these glands are available on request at obchod@generi.cz.