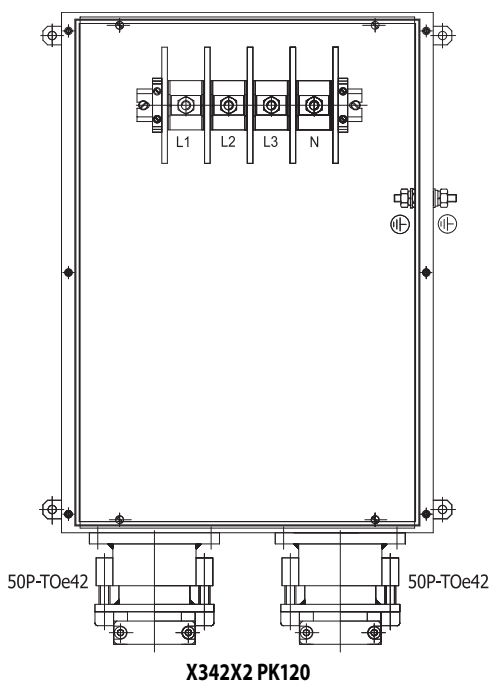
**POLYESTER BOXES TYPE X.X1**

Type of protection:	Ex II 2GD Ex e tD II T6 T85°C IP66
Terminals:	L1, L2, L3, N, PE
U_n [V]:	see table
Standard:	2 pcs cable glands on the bottom side without clamping module.

Range of terminals [mm ²]		U _n [V]	Dimensions: (w x h x d) [mm]	Cable glands * (cable diameter in mm)	Weight [kg]	Order No.
min.	nominal					
0,2	4	550	122 x 120 x 90	2 pcs M20 (Ø 7 – Ø 12)	0,9	X20X1 PK04
0,5	6	550	122 x 120 x 90	2 pcs M25 (Ø 12 – Ø 18)	1,0	X20X1 PK06
0,5	10	550	160 x 160 x 90	2 pcs M25 (Ø 12 – Ø 18)	1,6	X25X1 PK10
0,5	16	550	160 x 160 x 90	2 pcs M32 (Ø 17 – Ø 25)	1,6	X25X1 PK16
2,5	35	750	160 x 160 x 90	2 pcs M40 (Ø 22 – Ø 32)	2,6	X27X1 PK35
10	50	750	255 x 250 x 120	2 pcs M40 (Ø 22 – Ø 32)	3,6	X37X1 PK50
10	70	750	400 x 405 x 120	2 pcs M50 (Ø 24 – Ø 38)	6,6	X45X1 PK70
16	95	750	400 x 405 x 120	2 pcs M63 (Ø 37 – Ø 44)	6,6	X45X1 PK95

**STAINLESS STEEL BOXES TYPE X.X2**

Type of protection:	Ex II 2GD Ex e II tD T6 T85°C IP66
Terminals:	L1, L2, L3, N, PE (for cable terminals)
U_n:	750 V
Standard:	2 pcs flanged cable glands on the bottom with tension relief

Range of terminals [mm ²]		Dimensions w x h x d [mm]	Cable glands * (cable diameter in mm)	Weight [kg]	Order No.
min.	nominal				
10	120	400 x 560 x 190	2 pcs: 50P-T0e (Ø 32 – Ø 42)	15,7	X342X2 PK120
10	150	400 x 560 x 190	2 pcs: 50P-T0e (Ø 32 – Ø 42)	15,7	X342X2 PK150
10	185	400 x 800 x 190	2 pcs: 50P-T0e (Ø 40 – Ø 50)	19,5	X343X2 PK185
10	240	400 x 800 x 190	2 pcs: 70P-T0e (Ø 44 – Ø 54)	19,7	X343X2 PK240

*** Note:**

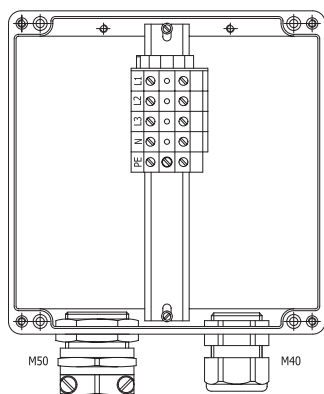
1) If you require different cable glands than the ones mentioned above, you can choose a modified design such as:

X27X1 PK35/M40*/M32*

* substitute the cable gland size or type / diameter of the cable.

2) For connecting more than two cables, please contact our technical services department, we will be glad to design and manufacture boxes according to your requirements.

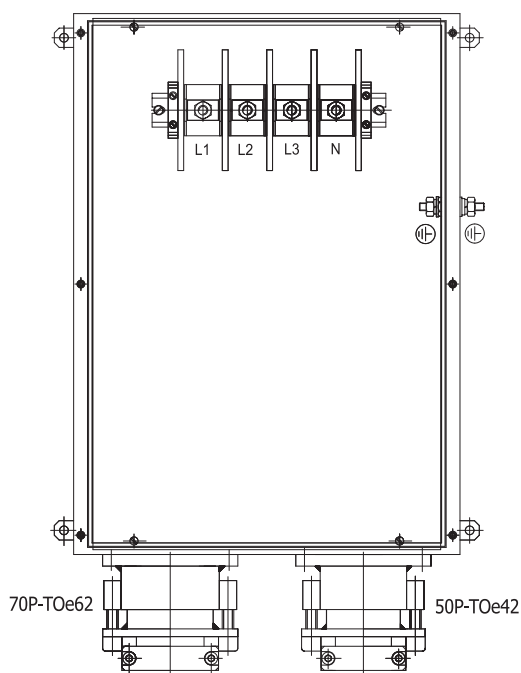
Quotations for specific modifications as well as detailed technical information for type X.X1, X.X2 are available at obchod@generi.cz.



X37X1 PM35

POLYESTER BOXES TYPE X.X1	
Type of protection:	⊕ II 2GD Ex e tD II T6 T85°C IP66
Terminals:	L1, L2, L3, N, PE
Un [V]:	see table
Standard:	2 pcs cable glands on the bottom: 1 st : moving feed with clamping module 2 nd : fixed feed without clamping module

Range of terminals [mm ²]		Un [V]	Dimensions (w x h x d) [mm]	Cable glands (cable diameter in mm)		m [kg]	Order No.
min.	nominal			1 pc	1 pc		
0,2	2,5	550	122 x 120 x 90	M25 (Ø 13-Ø 18)	M20 (Ø 12-Ø 17)	1,0	X20X1 PM02,5
0,2	4	550	122 x 120 x 90	M32 (Ø 18-Ø 25)	M20 (Ø 12-Ø 17)	1,0	X20X1 PM04
0,5	6	550	122 x 120 x 90	M32 (Ø 18-Ø 25)	M25 (Ø 12-Ø 18)	1,0	X20X1 PM06
0,5	10	550	160 x 160 x 90	M40 (Ø 22-Ø 32)	M25 (Ø 12-Ø 18)	1,5	X25X1 PM10
0,5	16	550	160 x 160 x 90	M40 (Ø 22-Ø 32)	M32 (Ø 17-Ø 25)	1,6	X25X1 PM16
2,5	35	750	255 x 250 x 120	M50 (Ø 32-Ø 38)	M40 (Ø 21-Ø 32)	3,3	X37X1 PM35
10	50	750	255 x 250 x 120	M63 (Ø 37-Ø 44)	M40 (Ø 21-Ø 32)	3,7	X37X1 PM50
10	70	750	400 x 405 x 120	M63 (Ø 37-Ø 44)	M50 (Ø 24-Ø 37)	6,7	X45X1 PM70
16	95	750	400 x 405 x 120	M63 (Ø 37-Ø 44)	M63 (Ø 30-Ø 44)	6,7	X45X1 PM95



X342X2 PM120

STAINLESS STEEL BOXES TYPE X.X2	
Type of protection:	⊕ II 2GD Ex e tD II T6 T85°C IP66
Terminals:	L1, L2, L3, N, PE (for cable tips)
Un [V]:	750 V
Standard:	2 pcs flanged cable glands on the bottom with clamping module

Range of terminals [mm ²]		Dimensions (w x h x d) [mm]	Cable glands (cable diameter in mm)		m [kg]	Order No.
min.	nominal		1 pc	1 pc		
10	120	400 x 560 x 190	70P-TOe (Ø 52 - 62)	50P-TOe (Ø 32 - 42)	15,8	X342X2 PM120
10	150	400 x 560 x 190	50P-TOe (Ø 40 - 50)	50P-TOe (Ø 32 - 42)	15,7	X342X2 PM150
10	185	400 x 800 x 190	70P-TOe (Ø 44 - 54)	50P-TOe (Ø 40 - 50)	19,6	X343X2 PM185
10	240	400 x 800 x 190	70P-TOe (Ø 52 - 62)	70P-TOe (Ø 44 - 54)	19,7	X343X2 PM240

Quotations for specific modifications as well as detailed technical information for type X.X1, X.X2 are available at obchod@generi.cz.