

**X40..DA2**

There is always an independently certified box (e.g. type X.X., X.SA., X.XS.) with suitable dimensions mechanically attached to the X40..DA2 switchgear. Both of the parts are galvanically interconnected by certified bushings.

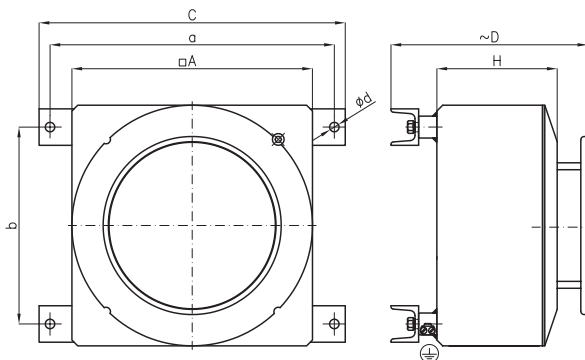
**X40..DA2/d**

Cable entries are made either with explosion-proof cable glands that make a direct entry into the flameproof enclosure, or with another certified device that provides the integrity of the flameproof enclosure.

The switchgears are available with installed electrical equipment according to customer's specification. An empty box is available as well; in such a case the conformity of the final product must be assessed.

Type of protection	<ul style="list-style-type: none"> ⊕ I M2 Ex db I Mb ⊕ II 2G Ex db IIC T6 Gb ⊕ II 2D Ex tb IIC T85°C Db
Ingress protection	IP66
Ambient temperature	-60 °C to +60 °C (max. range)
Material	Steel weldment, gray colour RAL 7040
Rated current	max. 250 A
Rated short-time current	max. 10 kA

Dimensions [mm]							Weight [kg]	Type
A	H	C	D	a	b	Φd		
160	125	240	225	210	100	11	11	X4011DA2
160	165	240	265	210	100	11	19	X4012DA2
260	125	340	235	310	200	11	27	X4031DA2
260	165	340	275	310	200	11	28	X4032DA2
260	225	340	335	310	200	11	33	X4033DA2
260	265	340	375	310	200	11	34	X4034DA2
330	165	420	280	390	270	13	40	X4052DA2
330	225	420	340	390	270	13	46	X4053DA2
330	265	420	380	390	270	13	49	X4054DA2
330	325	420	440	390	270	13	54	X4055DA2
360	165	450	280	420	300	13	48	X4062DA2
360	225	450	340	420	300	13	53	X4063DA2
360	265	450	380	420	300	13	57	X4064DA2
360	325	450	440	420	300	13	63	X4065DA2
400	165	490	280	460	340	13	62	X4072DA2
400	225	490	340	460	340	13	69	X4073DA2
400	265	490	380	460	340	13	74	X4074DA2
400	325	490	440	460	340	13	81	X4075DA2
400	365	490	480	460	340	13	86	X4076DA2
500	165	610	290	570	420	15	98	X4082DA2
500	225	610	350	570	420	15	108	X4083DA2
500	265	610	390	570	420	15	116	X4084DA2
500	325	610	450	570	420	15	127	X4085DA2
500	365	610	490	570	420	15	134	X4086DA2
560	165	670	295	630	480	15	113	X4092DA2
560	225	670	355	630	480	15	123	X4093DA2
560	265	670	395	630	480	15	131	X4094DA2
560	325	670	455	630	480	15	142	X4095DA2
560	365	670	495	630	480	15	152	X4096DA2
560	425	670	555	630	480	15	164	X4097DA2



Detailed technical data on demand – e-mail: obchod@generi.cz.