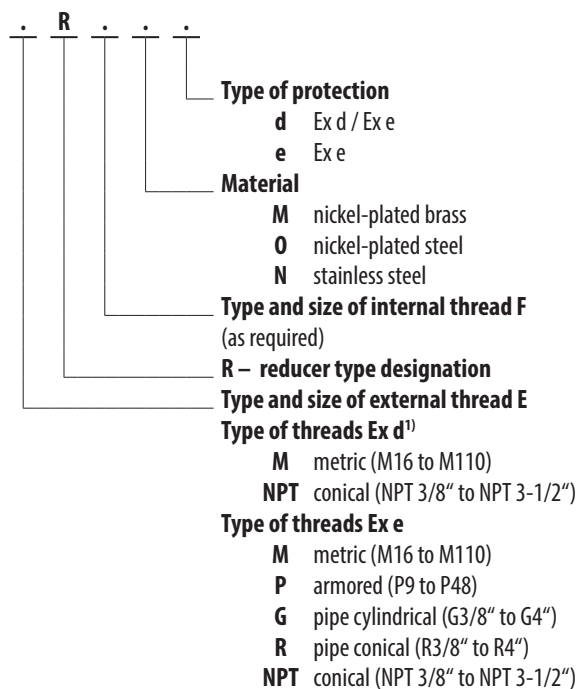
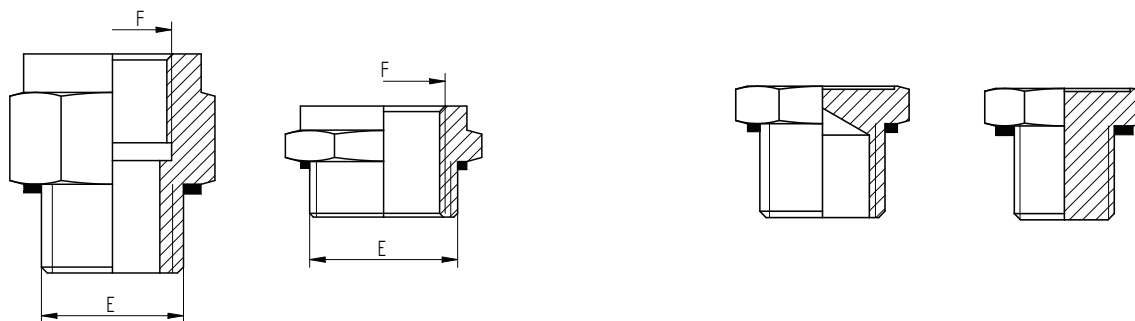
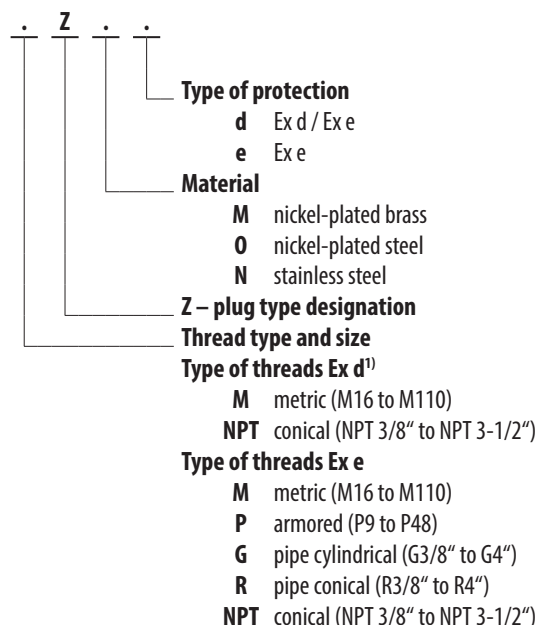


REDUCERS / ADAPTORS, PLUGS	
Type of protection	Ex d ⊕ I M2 Ex db I Mb / Ex eb I Mb ⊕ II 2G Ex db IIC Gb / Ex eb IIC Gb ⊕ II 2D Ex tb IIIC Db
	Ex e ⊕ I M2 Ex eb I Mb ⊕ II 2G Ex eb IIC Gb ⊕ II 2D Ex tb IIIC Db
Ingress protection	IP 67 – All thread types, excluding NPT
	IP 64 – NPT
	IP 65 – NPT with thread sealing tape
Ambient temperature	0°C to +85°C (I M2)
	-60°C to +85°C (II 2G, II 2D)
Thread	Ex d M – metric ČSN ISO 68 NPT – conical ANSI B1.20.1
	Ex e M – metric ČSN ISO 68 P – armoured for electric engineering G – pipe cylindrical EN ISO 228-1 R – pipe cylindrical ČSN ISO 7-1 NPT – conical ANSI B1.20.1

Type key for REDUCERS/ADAPTORS:



Type key for PLUGS:



Notes:

¹⁾ Other thread types of reducer and plugs for Ex d only as a replacement for devices in existing installations that contain internal thread types that were permitted in previous releases of IEC60079-1.