

# 20 A

550 V  
U MAXI

## DECONTACTOR™ DXA1



MARECHAL ELECTRIC FRANCE

II 2 G D

Ex db eb IIC T\* Gb

Ex tb IIIC T\* Db

-55 °C ≤ Ta ≤ +40 °C

T6

T68 °C

-55 °C ≤ Ta ≤ +60 °C

T5

T88 °C

LCIE 15 ATEX 3033X/IECEx LCIE 15.0030X



IP66  
IP67



1-4 mm<sup>2</sup> (1)  
1,5-6 mm<sup>2</sup> (2)



METAL



IK10



-55 °C  
+60 °C



AC-22  
AC-23



ATEX



1, 2,  
21, 22



EMC

(1) Flexible wiring (min.-max.).  
(2) Stranded wiring (min.-max.).

### TEMPERATURE RATING

Gas temperature classes

T6 for an ambient T° between -55 °C and +40 °C

T5 for an ambient T° between -55 °C and +60 °C

Dust surface temperature classes

Surface T° ≤ 68 °C for an ambient T° between -55 °C and +40 °C

Surface T° ≤ 88 °C for an ambient T° between -55 °C and +60 °C

### STANDARDS

International and European  
IEC/EN standards

60079-0, 60079-1, 60079-7, 60079-31, 60309-1, 60309-4, 60947-3

Protection mode

db eb, tb

**SOCKET-OUTLET**  
female  
DXA1



**PLUG** male  
DXA1



220-250 V AC	1P+N+E	2914015	2918015
380-440 V AC	3P+E	2914013	2918013
380-440 V AC	3P+N+E	2914017	2918017

**WALL MOUNTING**  
socket female  
DXA1



**PLUG** male  
DXA1



220-250 V AC	1P+N+E	M20	8-13 mm	2914015 + 291A053	2918015 + 291A963
220-250 V AC	1P+N+E	M25	9-16 mm	2914015 + 291A05325M	2918015 + 291A95325M
220-250 V AC	1P+N+E	M32	12-21 mm	2914015 + 291A653	2918015 + 291A95332M
380-440 V AC	3P+E	M20	8-13 mm	2914013 + 291A053	2918013 + 291A963
380-440 V AC	3P+E	M25	9-16 mm	2914013 + 291A05325M	2918013 + 291A95325M
380-440 V AC	3P+E	M32	12-21 mm	2914013 + 291A653	2918013 + 291A95332M
380-440 V AC	3P+N+E	M20	8-13 mm	2914017 + 291A053	2918017 + 291A963
380-440 V AC	3P+N+E	M25	9-16 mm	2914017 + 291A05325M	2918017 + 291A95325M
380-440 V AC	3P+N+E	M32	12-21 mm	2914017 + 291A653	2918017 + 291A95332M

**INCLINED SOCKET**  
female  
DXA1



**INCLINED APPLIANCE** inlet male  
DXA1



220-250 V AC	1P+N+E	2914015 + 291A027	2918015 + 291A027
380-440 V AC	3P+E	2914013 + 291A027	2918013 + 291A027
380-440 V AC	3P+N+E	2914017 + 291A027	2918017 + 291A027

**COUPLER SOCKET**  
female  
DXA1

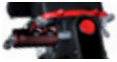




**WALL MOUNTING**  
appliance inlet male  
DXA1



220-250 V AC	1P+N+E	M20	8-13 mm	2914015 + 291A963	2918015 + 291A053
220-250 V AC	1P+N+E	M25	9-16 mm	2914015 + 291A95325M	2918015 + 291A05325M
220-250 V AC	1P+N+E	M32	12-21 mm	2914015 + 291A95332M	2918015 + 291A653
380-440 V AC	3P+E	M20	8-13 mm	2914013 + 291A963	2918013 + 291A053
380-440 V AC	3P+E	M25	9-16 mm	2914013 + 291A95325M	2918013 + 291A05325M
380-440 V AC	3P+E	M32	12-21 mm	2914013 + 291A95332M	2918013 + 291A653
380-440 V AC	3P+N+E	M20	8-13 mm	2914017 + 291A963	2918017 + 291A053
380-440 V AC	3P+N+E	M25	9-16 mm	2914017 + 291A95325M	2918017 + 291A05325M
380-440 V AC	3P+N+E	M32	12-21 mm	2914017 + 291A95332M	2918017 + 291A653

► Other currents, voltages, frequencies and contact configurations are available (see page 14).

OPTIONS	Reference
<b>LOCKING PIN FOR 2 PADLOCKS Ø 4 TO 8 mm (PADLOCKS NOT SUPPLIED)</b>	
	Ref. + 843
<b>INLET CAP IP66/IP67</b>	
	291A426
<b>IN-LINE CONNECTIONS (A PAIR OF FINGER DRAW PLATES TO AID CLOSING)</b>	
	291A346

**For other Ex cable glands, contact us.**



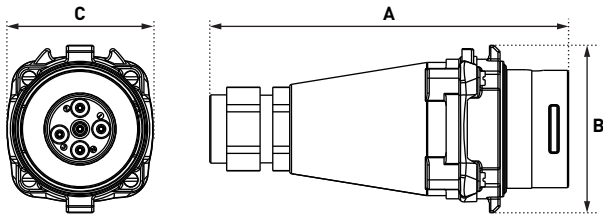
**ELECTROMAGNETIC COMPATIBILITY (EMC)** **NEW**



Please order an Ex EMC cable gland to be found on page 318.

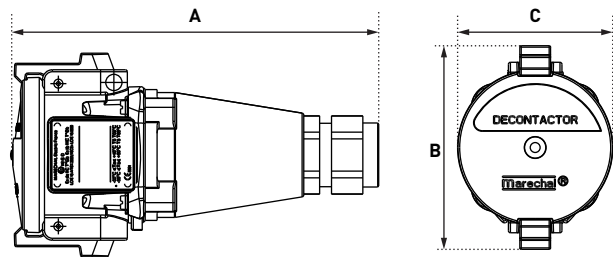
# DRAWINGS AND DIMENSIONS

**PLUG**



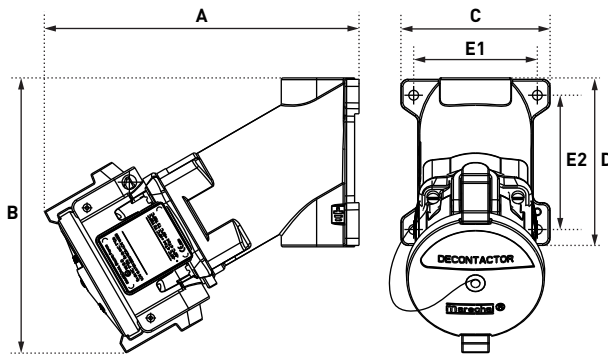
A	B	C
170	79	70

**MOBILE SOCKET**



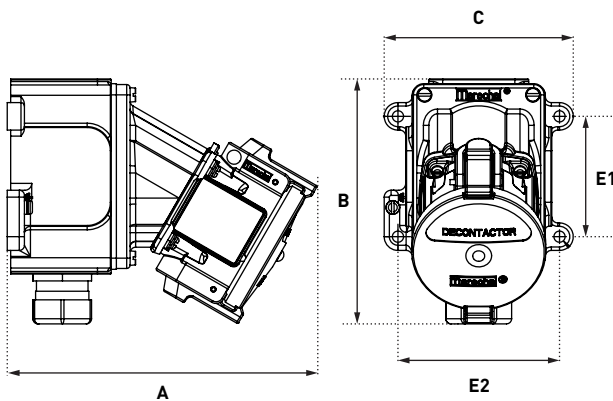
A	B	C
185	103	78

**SOCKET MOUNTED ON 30° WALL BOX M20 - M25**



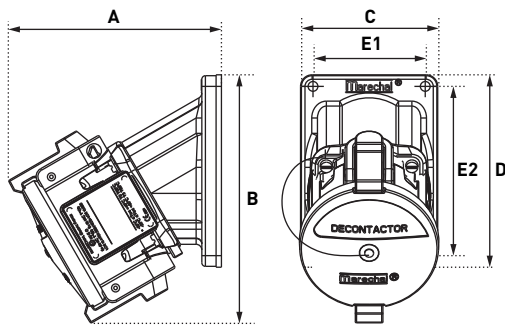
A	B	C	D	E1	E2
178	156	84	95	70	76

**SOCKET MOUNTED ON 30° WALL BOX M32**



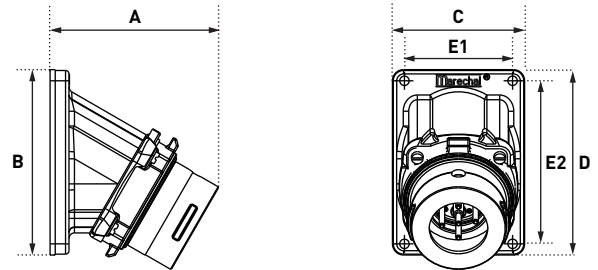
A	B	C	D	E1	E2

**SOCKET ON 30° INCLINED SLEEVE**



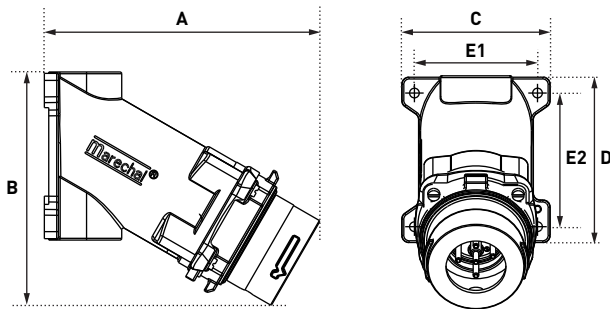
A	B	C	D	E1	E2
120	140	77	108	63	95

**PLUG ON 30° INCLINED SLEEVE**



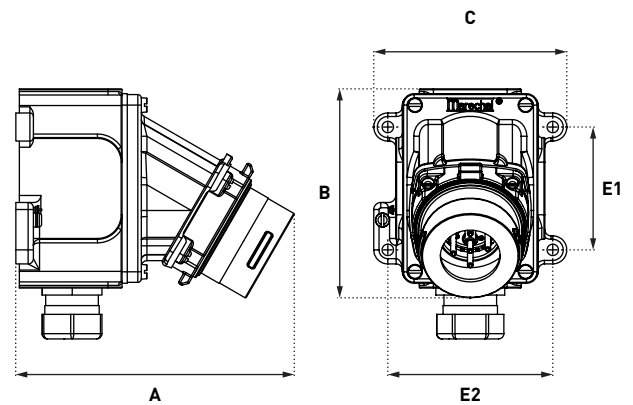
A	B	C	D	E1	E2
98	117	77	108	63	95

**PLUG ON 30° WALL BOX M20 - M25**



A	B	C	D	E1	E2
157	133	84	95	70	76

**PLUG ON 30° WALL BOX M32**



A	B	C	E1	E2
159	119	110	70	94