

MAIN FEATURES



12 CONTACTS

10 A

PXN12C



25 CONTACTS

10 A

DXN25C



37 CONTACTS

10 A

DXN37C



◀◀  II 2 G D Ex e IIC Gb, Ex tb IIIC Db ▶▶

◀◀ II 2 G D Ex ia ou ib IIC Gb ▶▶

◀◀ padlocking when connected or disconnected ▶▶

◀◀ Corrosion protected metal casing ▶▶

MULTICONNECTIONS PXN12C, DXN25C AND DXN37C CONNECTORS COMPLY WITH:

- ATEX European Directive (affixing "Ex" symbol and CE marking),
- RoHS Directive (affixing CE marking),
- REACH European Regulation,
- IEC/EN 60079-0, IEC/EN 60079-7 and IEC/EN 60079-31 standards.

PXN12C, DXN25C AND DXN37C CERTIFICATION BODIES

Products are certified by LCIE (ATEX and IECEx), NANIO (TR CU EAC), EXPLORLABS (SANS) and KGS (KCS*) (French, Russian, South African and South Korean notified bodies).

*DXN37C excluded





SIMPLE ASSEMBLY AND DISASSEMBLY

FAST WIRING

- Cable conductors: 1 mm² to 2,5 mm².
- Before wiring, add a heat-shrink sleeve or insulating sleeve on each conductor.
- After wiring, cover the visible portion of the contact with the sleeve.
- Crimp the contact with a KNIPEX crimping tool P/N° 61CA500 or a GREENLEE crimping tool P/N° 45505.
- Use the 4 mm² footprint whatever the conductor cross-section.
- Perform a double crimping in compliance with CEI 60352-2 standard.
- Conductors can equally be soldered.

ASSEMBLY

To insert contacts when they have been wired is simple.
Push wired contact into rear of insulator until it stops to complete the installation.



DISASSEMBLY

To remove, use the tool provided.
Push tool from front onto contact until tool stops.
Contact is then released at rear of insulator.



12 CONTACTS

10 A

220 V
U_{MAXI}

CONNECTORS MULTICONTACTS PXN12C

MARECHAL ELECTRIC FRANCE

Ex II 2 G D Ex e IIC T5 Gb

EX TB IIIC T69°C DB

-40 °C ≤ Ta ≤ +55 °C

IECEX LCIE 14.0041X / LCIE 07 ATEX 6070X

MARECHAL ELECTRIC FRANCE

Ex II 2 G D EX IA OU IB IIC T6 GB

EX TB IIIC T69°C DB

-40 °C ≤ Ta ≤ +55 °C

IECEX LCIE 14.0041X / LCIE 07 ATEX 6070X



IP65
IP66



1-2,5 mm²



METAL



IK09



-40 °C
+55 °C



ATEX



1, 2,
21, 22

OTHER FEATURES

Rated current (with wiring according to standard)

4-20 mA/10 A

Terminals wiring

crimping

Flexible wiring (min.-max.).

1-2,5 mm²

STANDARDS

International and European IEC/EN standards

60079-0, 60079-7 et 60079-31

Protection mode

e, tb
ia or ib, tb (consult us)

REFERENCES AND OPTIONS

WALL MOUNTING

socket female
PXN12C



PLUG male
PXN12C



Input	Cable outer Ø	Reference	Input	Cable outer Ø	Reference
M25	9-16 mm	06A000125M	M25	9-16 mm	06A100125M
M32	12-21 mm	06A0001	M32	12-21 mm	06A1001



Connection or
disconnection screw
locking imprint
BTR 2.5.

INCLINED SOCKET FEMALE PXN12C



INCLINED
APPLIANCE inlet male
PXN12C



Reference	Reference
06A7001	06A9001

Each product is
supplied with 1 bag of
13 contacts depending
on the maximum
configuration.
This allows you to set
up the product to suit
your needs.

COUPLER SOCKET female PXN12C



INCLINED
APPLIANCE inlet
PXN12C



Input	Cable outer Ø	Reference	Input	Cable outer Ø	Reference
M25	9-16 mm	06A300125M	M25	9-16 mm	06A600125M
M32	12-21 mm	06A3001	M32	12-21 mm	06A6001

INFOS +

Leaving 2 contacts unused can give 9 different keying positions (on socket outlet side or mobile plug side) using the two specific stopping plugs supplied.

OPTIONS

Reference

BAG OF 13 FEMALES CONTACTS



01AA213

BAG OF 13 MALES CONTACTS



01AA113

REMOVAL KEY



61CA593

OPTIONS

Reference

CRIMPING TOOL



61CA500

HELAVIA SLEEVE EXPANSION TOOL



61CA400

BAG OF 13 HEAT SHRINK INSULATION SLEEVES

61CA083

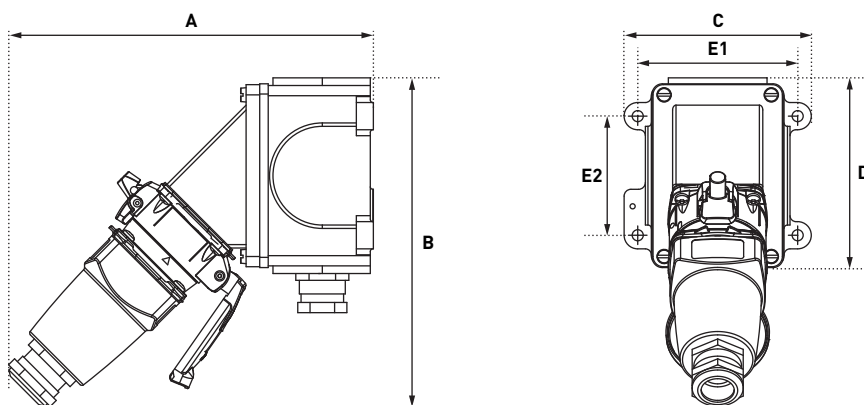
INLET CAP



01NA426

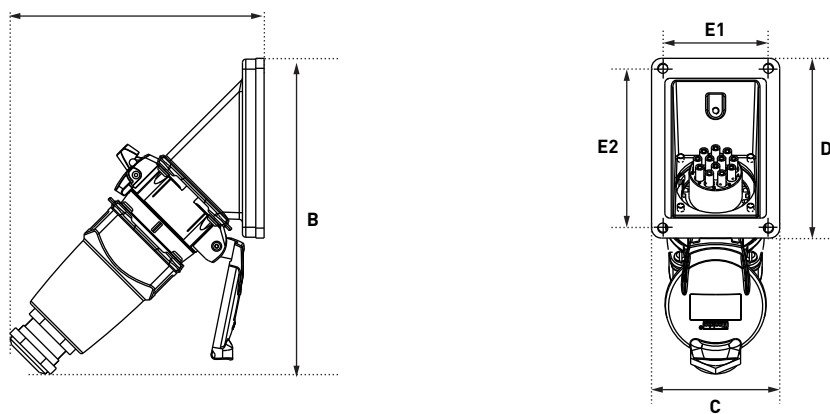
DRAWINGS AND DIMENSIONS

PLUG ON 45° WALL MOUNTED SOCKET OUTLET



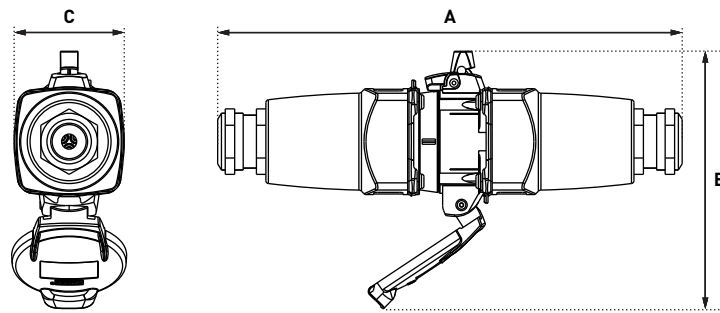
A	B	C	D	E1	E2
213	193	110	114	94	70

PLUG ON 45° INCLINED SOCKET OUTLET



A	B	C	D	E1	E2
153	189	77	107	63	95

COUPLER



A	B	C
246	136	58



25 CONTACTS

10 A

440 V
U_{MAXI}

CONNECTORS MULTICONTACTS DXN25C

MARECHAL ELECTRIC FRANCE

II 2 G D Ex e IIC T* Gb

EX TB IIIC T** DB

-40 °C ≤ Ta ≤ +40 °C : T6 T51°C

-40 °C ≤ Ta ≤ +60 °C : T5 T71°C

IECEX LCIE 14.0040X / LCIE 09 ATEX 3050X

MARECHAL ELECTRIC FRANCE

II 2 G D Ex ia ou ib IIC T6 Gb

EX TB IIIC T** DB

-40 °C ≤ Ta ≤ +40 °C : T51°C

-40 °C ≤ Ta ≤ +60 °C : T71°C

IECEX LCIE 14.0040X / LCIE 09 ATEX 3050X



IP66
IP67



1-2,5 mm²



METAL



IK09



-40 °C
+60 °C



ATEX



1, 2,
21, 22

OTHER FEATURES

Rated current (with wiring according to standard)

4-20mA/10A

Terminals wiring

Crimping

Flexible wiring (min.-max.).

1-2,5 mm²

STANDARDS

International and European IEC/EN standards

60079-0, 60079-7 et 60079-31

Protection mode

e, tb
ia or ib, tb (consult us)

REFERENCES AND OPTIONS

WALL MOUNTING

socket female
DXN25c



PLUG male
DXN25c



Input	Cable outer Ø	Reference	Input	Cable outer Ø	Reference
M32	12-21 mm	36D000232M	M32	12-21 mm	36D100232M
M40	16-27 mm	36D0002	M40	16-27 mm	36D1002



Locking position
connected or
disconnected by
lockable shaft.

INCLINED SOCKET FEMALE

DXN25c



INCLINED APPLIANCE inlet male

DXN25c



Reference	Reference
36D7002	36D9002

Other accessories
on request.

Each product is
supplied with 2 bags of
13 contacts depending
on the maximum
configuration.
This allows you to set
up the product to suit
your needs.
Delivered with
padlocking shaft.

COUPLER SOCKET

female
DXN25c



INCLINED APPLIANCE inlet

DXN25c



Input	Cable outer Ø	Reference	Input	Cable outer Ø	Reference
M32	12-21 mm	36D300232M	M32	12-21 mm	36D600232M
M40	16-27 mm	36D3002	M40	16-27 mm	36D6002

INFOS +

Leaving 2 contacts unused can give 9 different keying positions (on socket outlet side or mobile plug side) using the two specific stopping plugs supplied.

OPTIONS

Reference

BAG OF 13 FEMALES CONTACTS



01AA213

BAG OF 13 MALES CONTACTS



61CA113

REMOVAL KEY



61CA593

OPTIONS

Reference

CRIMPING TOOL



61CA500

HELAVIA SLEEVE EXPANSION TOOL



61CA400

BAG OF 13 HEAT SHRINK INSULATION SLEEVES

61CA083

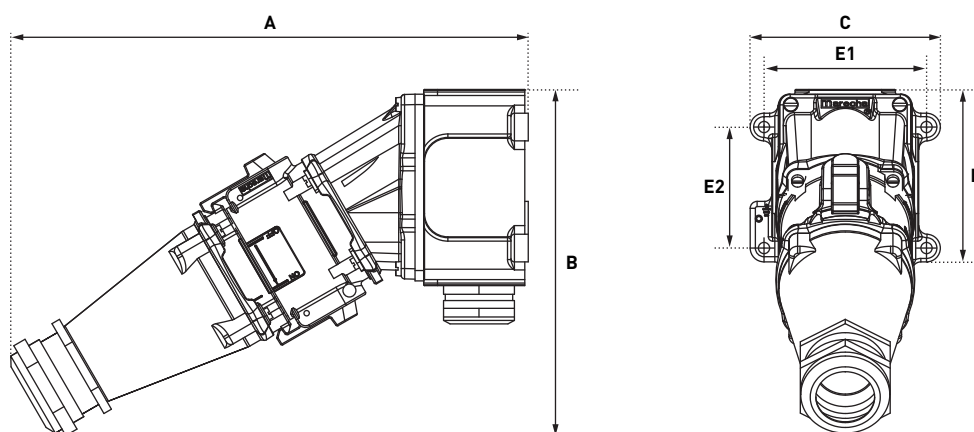
INLET CAP IP66/IP67



313A426

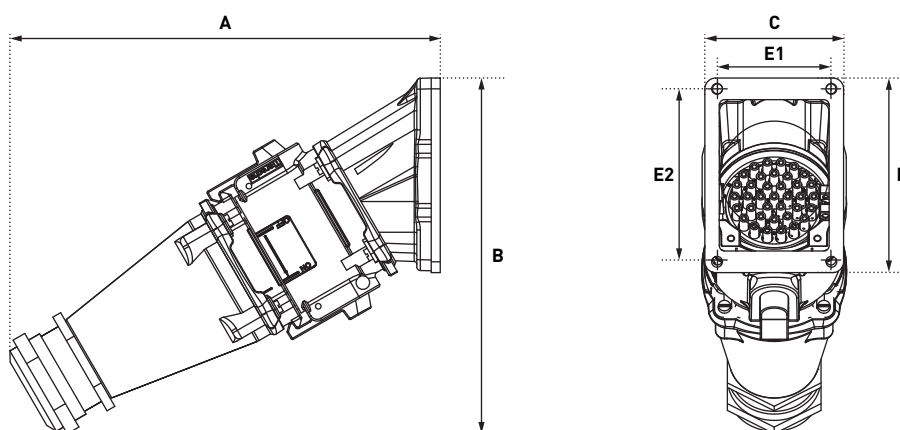
DRAWINGS AND DIMENSIONS

PLUG ON 30° WALL MOUNTED SOCKET OUTLET



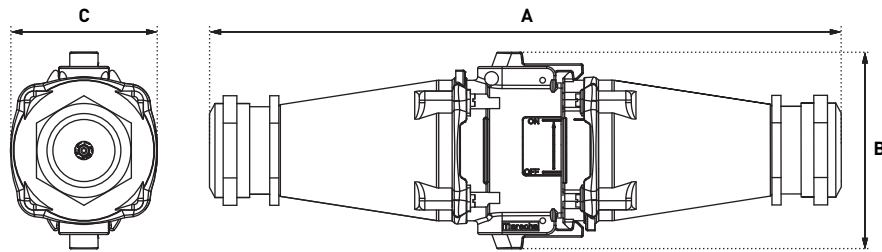
A	B	C	D	E1	E2
299	200	110	114	94	70

PLUG ON 30° INCLINED SOCKET-OUTLET



A	B	C	D	E1	E2
239	197	77	107	63	95

COUPLER



A	B	C
346	108	80



37 CONTACTS

10 A

230 V
U_{MAXI}

CONNECTORS MULTICONTACTS DXN37C

MARECHAL ELECTRIC FRANCE

II 2 G D Ex e IIC T* Gb

EX TB IIIC T** DB

-40 °C ≤ Ta ≤ +40 °C : T6 T56°C

-40 °C ≤ Ta ≤ +55 °C : T5 T76°C

IECEx LCIE 14.0038X / LCIE 07 ATEX 6071X

MARECHAL ELECTRIC FRANCE

II 2 G D Ex ia ou ib IIC T6 Gb

EX TB IIIC T** DB

-40 °C ≤ Ta ≤ +40 °C : T56°C

-40 °C ≤ Ta ≤ +55 °C : T76°C

IECEx LCIE 14.0038X / LCIE 07 ATEX 6071X



IP66
IP67



1-2,5 mm²



METAL



IK09



-40 °C
+55 °C



ATEX



1, 2,
21, 22

OTHER FEATURES

Rated current (with wiring according to standard)

4-20mA/10A

Terminals wiring :

crimping

Flexible wiring (min.-max.).

1-2,5 mm²

STANDARDS

International and European IEC/EN standards

60079-0, 60079-7 et 60079-31

Protection mode

e, tb
ia or ib, tb (consult us)

REFERENCES AND OPTIONS

WALL MOUNTING

socket female
DXN37C



PLUG male
DXN37C



Input	Cable outer Ø	Reference	Input	Cable outer Ø	Reference
M32	12-21 mm	36C000332M	M32	12-21 mm	36C100332M
M40	16-27 mm	36C0003	M40	16-27 mm	36C1003



Locking position
connected or
disconnected by
lockable shaft.

Other accessories
on request.

INCLINED SOCKET FEMALE DXN37C



INCLINED APPLIANCE inlet male DXN37C



Reference	Reference
36C7003	36C9003

Each product is
supplied with 3 bags of
13 contacts depending
on the maximum
configuration.
This allows you to set
up the product to suit
your needs.
Delivered with
padlocking shaft.

COUPLER SOCKET female DXN37C



INCLINED APPLIANCE inlet DXN37C



Input	Cable outer Ø	Reference	Input	Cable outer Ø	Reference
M32	12-21 mm	36C300332M	M32	12-21 mm	36C600332M
M40	16-27 mm	36C3003	M40	16-27 mm	36C6003

INFOS +

Leaving 2 contacts unused can give 9 different keying positions (on socket outlet side or mobile plug side) using the two specific stopping plugs supplied.

OPTIONS

Reference

BAG OF 13 FEMALES CONTACTS



01AA213

BAG OF 13 MALES CONTACTS



61CA113

REMOVAL KEY



61CA593

OPTIONS

Reference

CRIMPING TOOL



61CA500

HELAVIA SLEEVE EXPANSION TOOL



61CA400

BAG OF 13 HEAT SHRINK INSULATION SLEEVES

61CA083

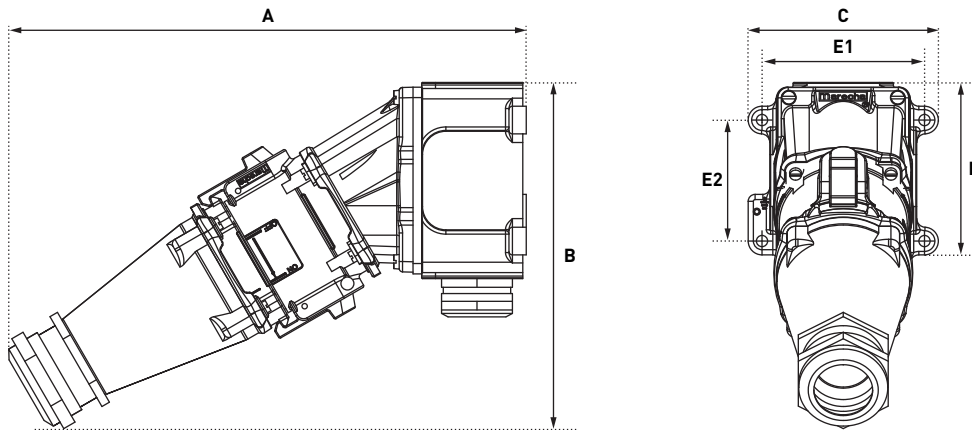
INLET CAP IP66/IP67



313A426

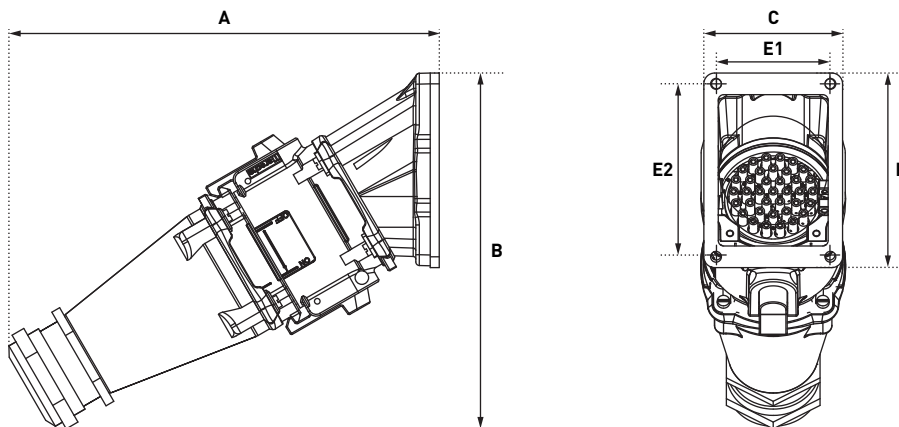
DRAWINGS AND DIMENSIONS

PLUG ON 30° WALL MOUNTED SOCKET OUTLET



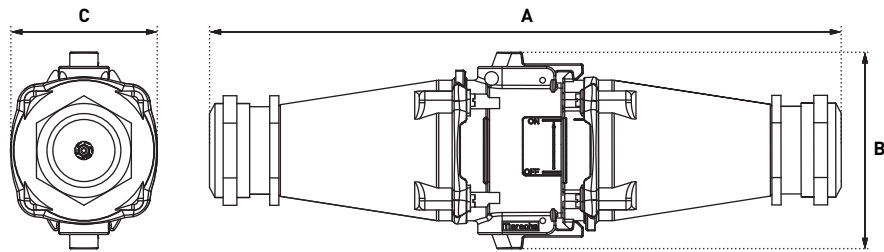
A	B	C	D	E1	E2
299	200	110	114	94	70

PLUG ON 30° INCLINED SOCKET-OUTLET



A	B	C	D	E1	E2
239	197	77	107	63	95

COUPLER



A	B	C
346	108	80

