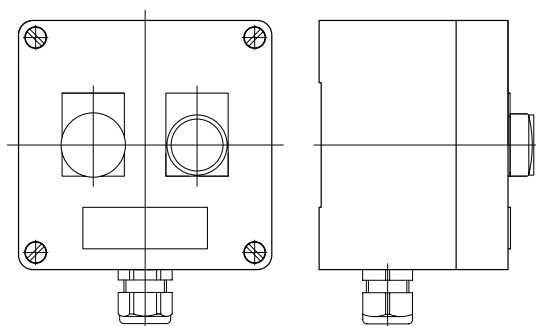


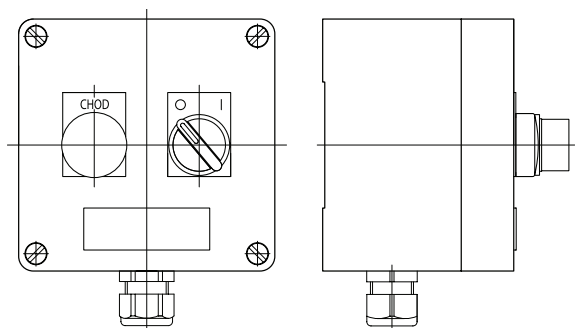
Type of protection	II 2G Ex db eb mb IIC T6 Gb II 2D Ex tb IIIC T85°C Db
Ingress protection	IP65
Material, dimensions	polyester, (w × h × d) 122 × 120 × 90 mm
Mounting holes / spacings	4 × ø 6,6 / 106 × 82 mm
Rated voltage	contact: 415 V, indicator: 24 V AC/DC, 230 V AC
Rated current	contact: 10 A, indicator: 20 mA, max. 30 mA (impulse 100 mA)
Switching capacity	AC15: 240 V/3 A, DC13: 250 V/0,27 A
Connection	screw terminals, max. 2 × wire 2.5 mm <sup>2</sup>
Cable gland	M20 (ø 7 – ø 12) mm



X20SA1 V140, V141

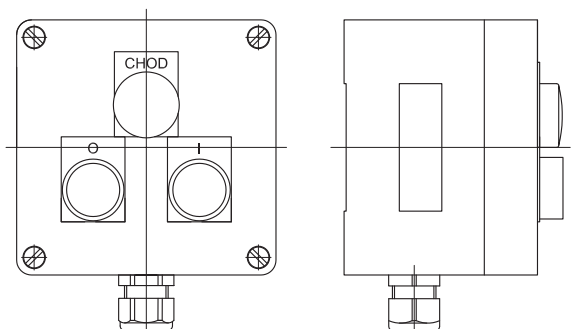
INDICATOR LIGHT PUSHBUTTON						
Indicator	see table					
Control head	spring return, for colour see table					
Label text	no text (text to order)					
Weight	0,9 kg					
	<b>Indicator</b>	<b>Button contact</b>	<b>Order number</b>			
	230 V 50Hz	1NO	X20SA1 V140/?			
	24 V AC/DC		X20SA1 V141/?			
<b>Fill in colours (indicator/button) according to the table instead of the question mark, e.g. X20SA1 V140/WH/GN</b>						
<b>Colour:</b>	green	white	red	yellow	blue	black
<b>Code:</b>	GN	WH	RD	YE	BU	BK *

\* Button only.



X20SA1 V130, V131

INDICATOR LIGHT SWITCH					
Indicator	see table				
Control head	rotary, fixed positions, black colour				
Label text	CHOD, 0 - I (other texts to order)				
Weight	0,9 kg				
	<b>Indicator</b>	<b>Switch contact</b>	<b>Order number</b>		
	230 V 50Hz	$\begin{matrix} 0 & 1 \\ 3 &   & X &   & 4 \end{matrix}$	X20SA1 V130/?		
	24 V AC/DC		X20SA1 V131/?		
<b>Fill in the indicator colour, e.g. X20SA1 V130/GN</b>					
<b>Colour:</b>	green	white	red	yellow	blue
<b>Code:</b>	GN	WH	RD	YE	BU



X20SA1 V101...V104

INDICATOR LIGHT DOUBLE PUSHBUTTON				
Indicator	see table			
Control head	spring return, for colour see table			
Label text	CHOD, 0, I (other texts to order)			
Weight	1,0 kg			
	<b>Indicator</b>	<b>Button 0 - 1NC</b>	<b>Button I - 1NO</b>	<b>Order number</b>
230 V 50Hz green	white	green		X20SA1 V101
	red			X20SA1 V102
24V AC/DC green	white			X20SA1 V103
	red			X20SA1 V104