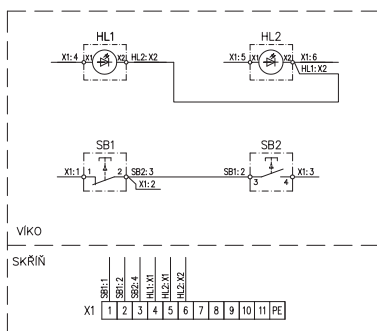
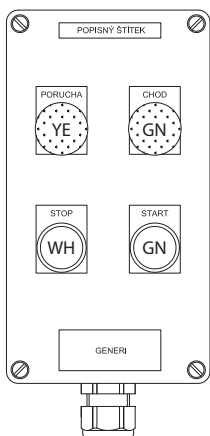
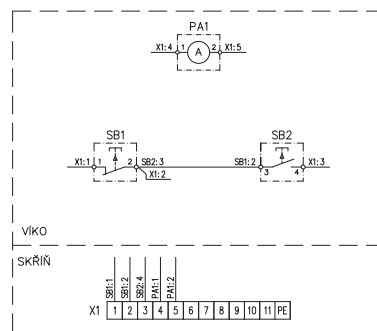
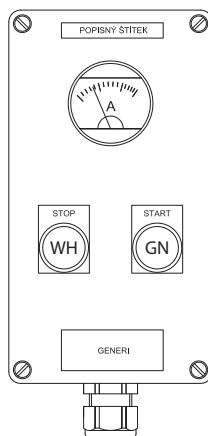


Type of protection	II 2G Ex db eb mb IIC T6 Gb II 2D Ex tb IIIC T85°C Db
Ingress protection	IP 65
Ambient temperature	-20 °C to +40 °C
Dimensions (w × h × d)	120 × 220 × 90 mm
Mounting holes / spacings	4 × d6,6 / 82 × 204 mm
Cable glands	1 × M25 (d8- d17) mm
Connection	spring-cage terminals 4 mm ²
Rated voltage	contact: 415 V indicator: 230 V AC, 24 V AC/DC
Rated current	contact: 10 A indicator: 20 mA, max. 30 mA, (impulse 100 mA)
Switching capacity	AC15: 240 V / 3A DC13: 250 V / 0,27A

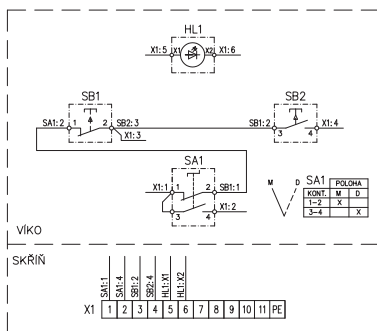
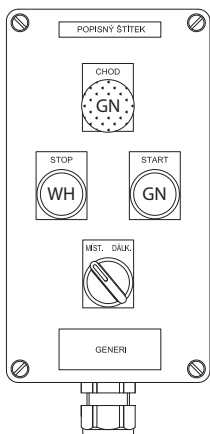


Indicators	Order number
230 V 50Hz	X23SA1 V202
24 V AC/DC	X23SA1 V202/24

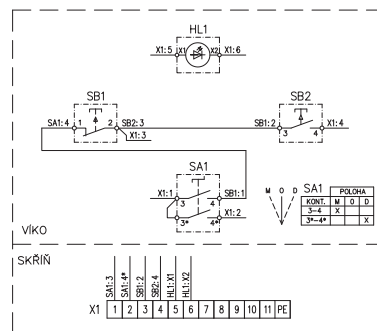
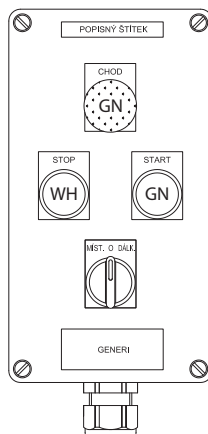


Order number
X23SA1 V204/?

Specify the required scale range of the A-meter in the note - see X20SA1 PA./..



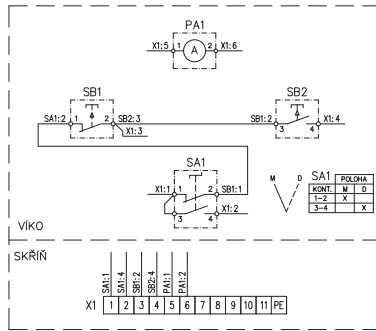
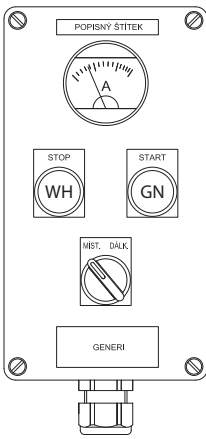
Indicators	Order number
230 V 50Hz	X23SA1 V203
24 V AC/DC	X23SA1 V203/24



Indicators	Order number
230 V 50Hz	X23SA1 V213
24 V AC/DC	X23SA1 V213/24

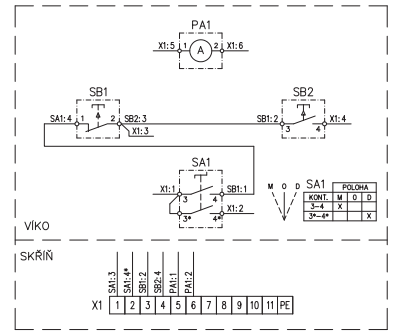
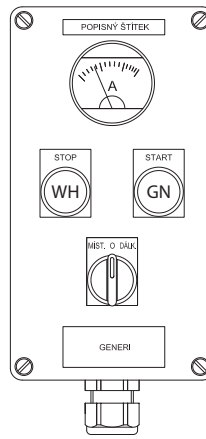
Other variants and label texts to order.

Detailed technical data on demand – e-mail: obchod@generi.cz.



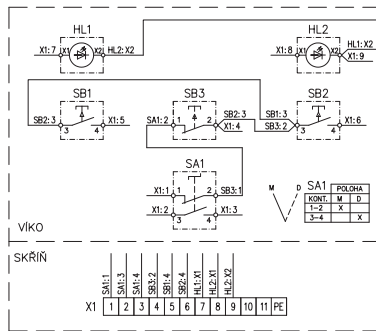
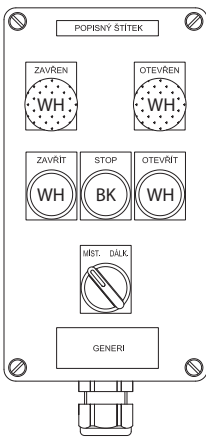
Order number
X23SA1 V205/?

Specify the required scale range of the A-meter in the note - see X20SA1 PA../..

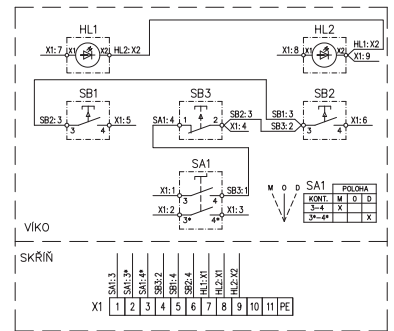
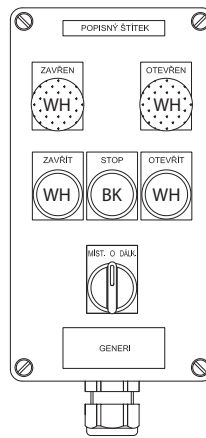


Order number
X23SA1 V215/?

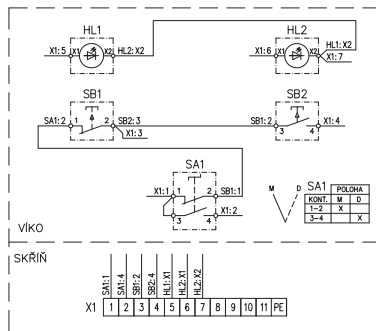
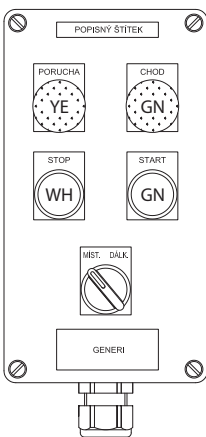
Specify the required scale range of the A-meter in the note - see X20SA1 PA../..



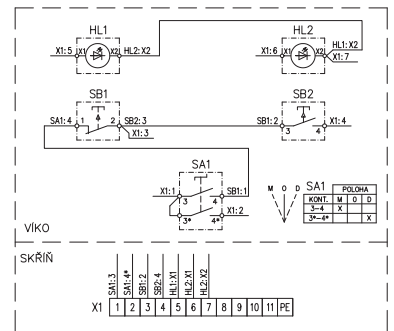
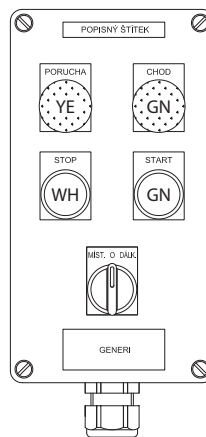
Indicators	Order number
230 V 50Hz	X23SA1 V206
24 V AC/DC	X23SA1 V206/24



Indicators	Order number
230 V 50Hz	X23SA1 V216
24 V AC/DC	X23SA1 V216/24



Indicators	Order number
230 V 50Hz	X23SA1 V207
24 V AC/DC	X23SA1 V207/24



Indicators	Order number
230 V 50Hz	X23SA1 V217
24 V AC/DC	X23SA1 V217/24